

**ebm-papst Landshut GmbH**

Hofmark-Aich-Straße 25

D-84030 Landshut

Phone +49 (0) 871 707-0

Fax +49 (0) 871 707-465

info3@de.ebmpapst.com

www.ebmpapst.com

**Nominal data**

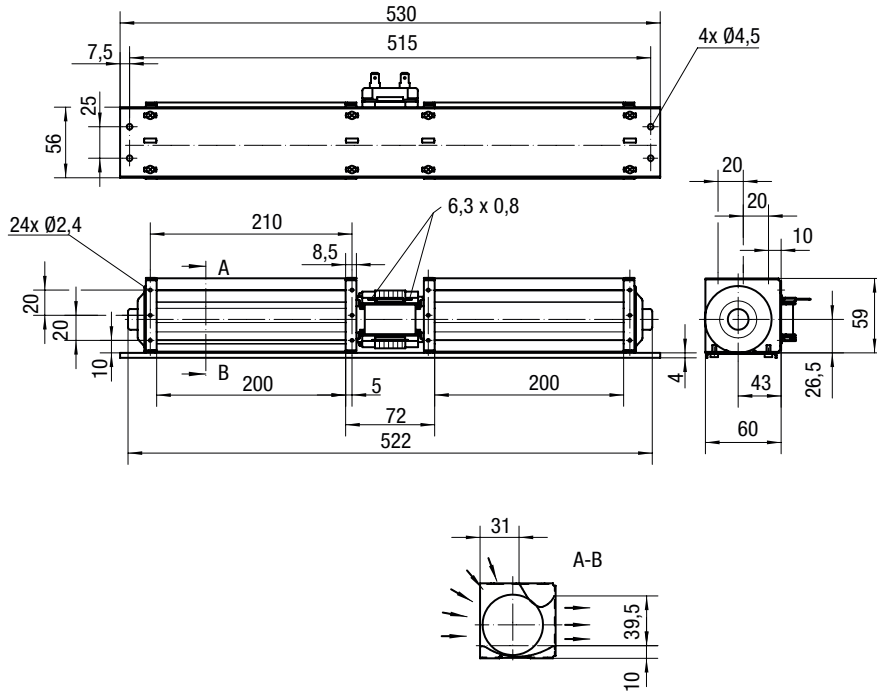
Type	QL4/2020-2124	
Phase		1~
Nominal voltage	VAC	230
Frequency	Hz	50
Speed	min <sup>-1</sup>	1900
Power consumption	W	16
Current draw	A	0.13
Min. ambient temperature	°C	0
Max. ambient temperature	°C	60
Air flow	m <sup>3</sup> /h	155
Pressure increase	Pa	10

ml = Max. load · me = Max. efficiency · fa = Free air · cs = Customer specification · ce = Customer equipment  
Subject to change

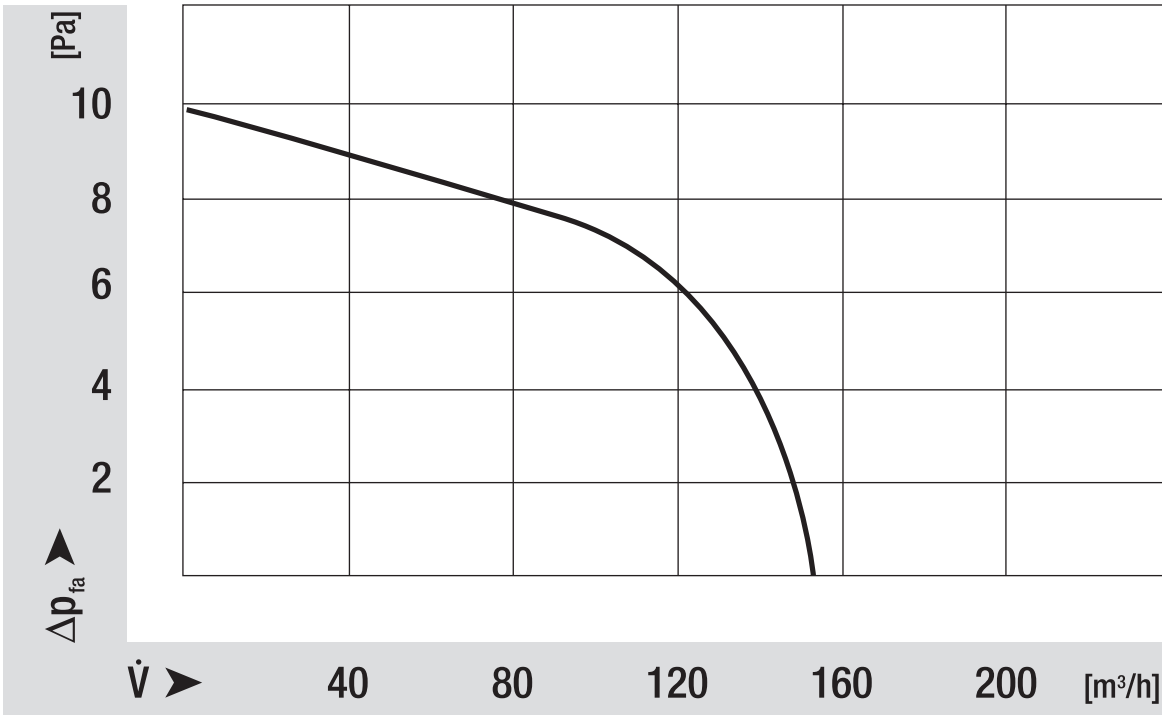
## Technical description

<b>Weight</b>	1.2 kg
<b>Dimensions</b>	40 mm
<b>Insulation class</b>	B on request also F or H
<b>Installation position</b>	Horizontal
<b>Cable</b>	Flat plug 6.3 x 0.8

## Product drawing



## Curves: Air performance



Curves: Speed

